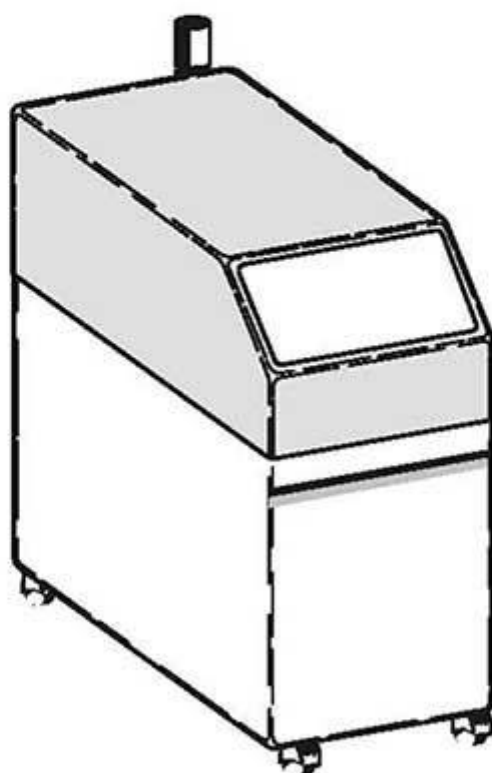


winterhalter

Spare parts list MonoMatik 1x4



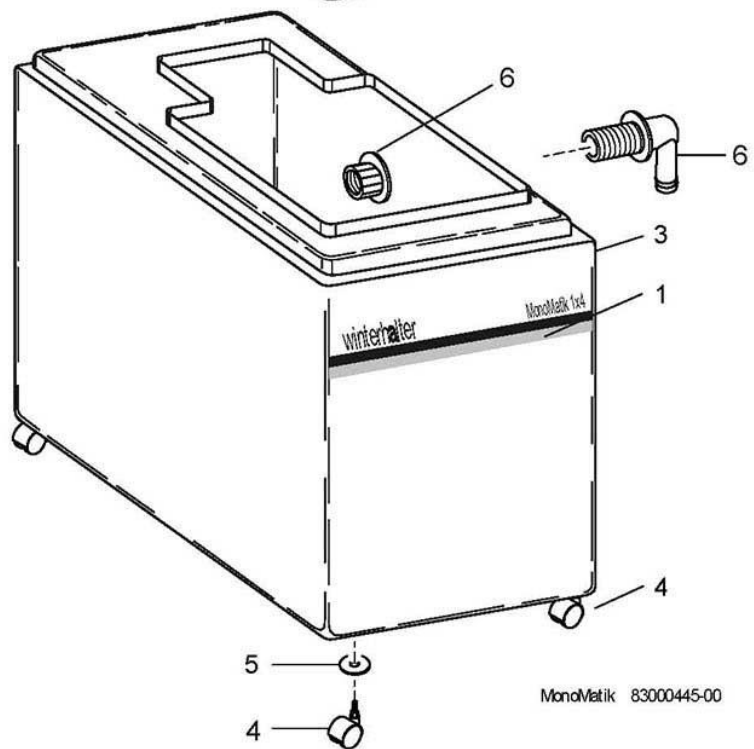
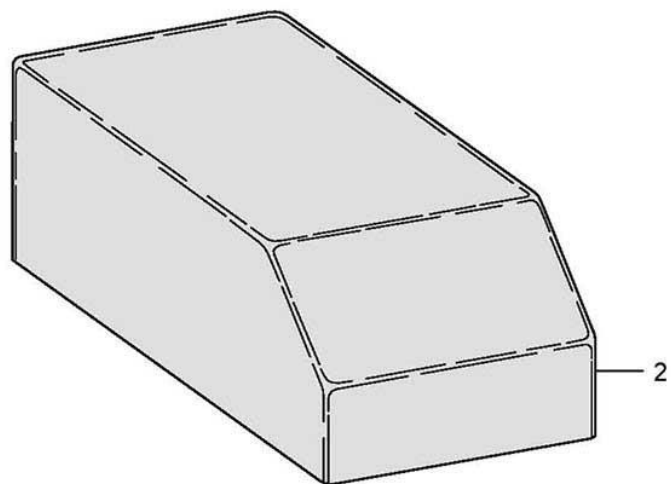
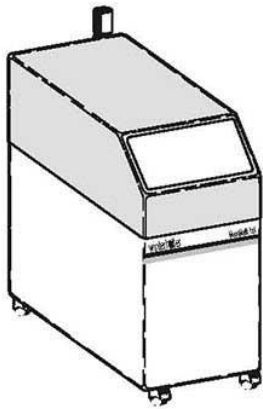
Drawn up: 01/95

Processed: 28.08.08

Parts no.: 89001428

Contents

Housing	Page	1 - 2
Control head	Page	3 - 4
Timer	Page	5 - 6
Salt valve	Page	7 - 8

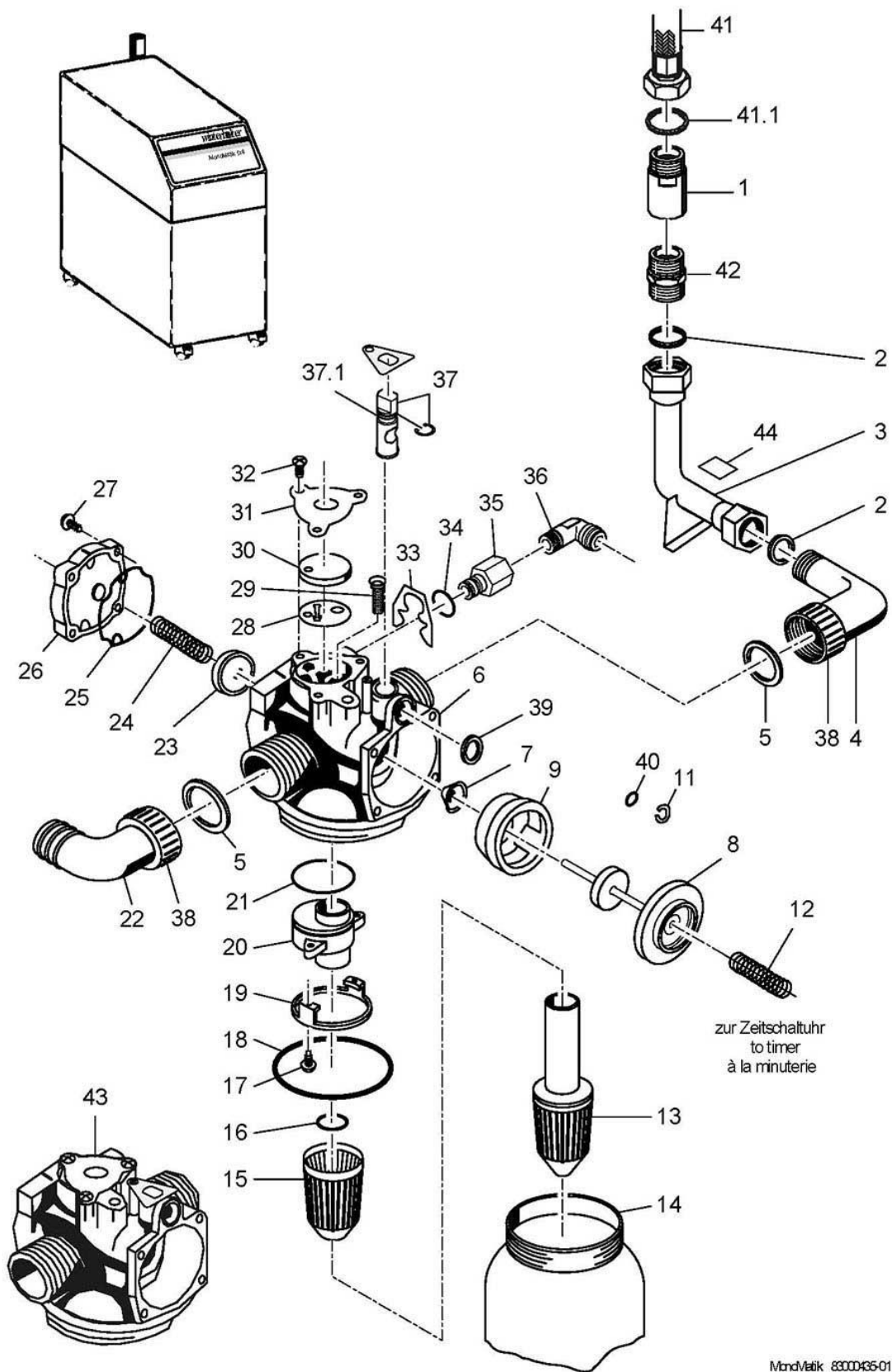


MonoMetik 83000445-00

MonoMatik 1x4

Housing

Item.	Designation	Parts no.:	Pc.	Notes
1	Strip label MonoMatik; 0,4 X 25 X 210	83000358		
2	Cover for monomatic	51 01 233		
3	Housing	51 01 332		
4	Castor; D43	51 01 237	4	
5	Washer; D8,5 X D50 X 1,5	51 01 006	4	
6	Angle screwing; R 3/8" X D9,5	51 01 139		

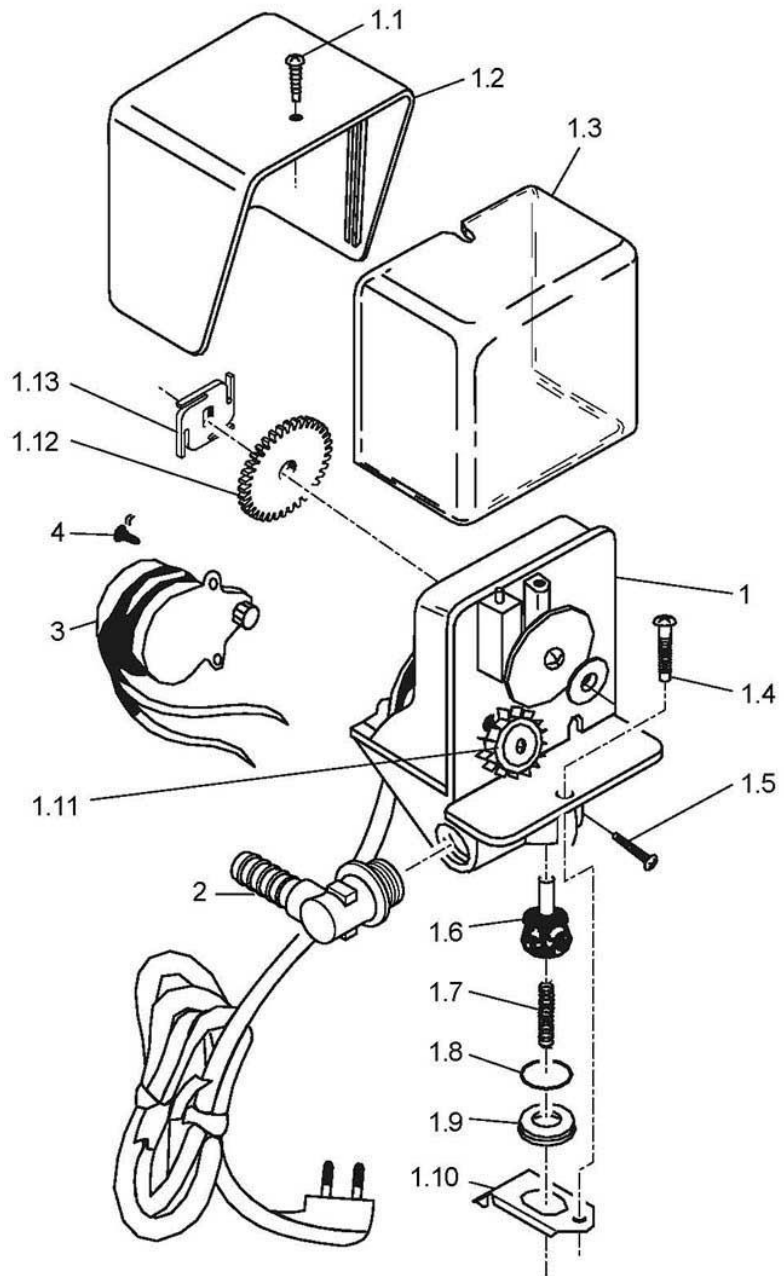
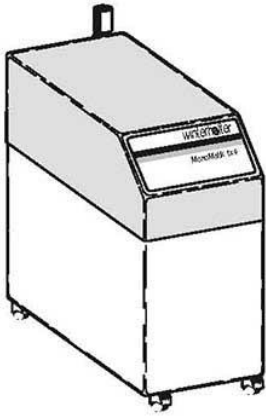


Miele/Matlik 8300D435-01

MonoMatik 1x4

Control head

Item.	Designation	Parts no.:	Pc.	Notes
1	Anti-vacuum dev./backflow prev	29 03 237		
2	Gasket; D16 X D24 X 3,0	80002241		
3	Suction elbow	83000283		
4	Angle screwing; R 3/4" X D18	51 01 333		without cap nut
5	Gasket	51 01 069	2	
6	Control head housing	51 01 234		
7	Gasket	51 01 334		
8	Valve rod with diaphragme	51 01 548		
9	Diaphragm seat	51 01 145		
11	Snap ring	51 01 168		up to 08/2006
12	Diaphragm spring	51 01 163		
13	Distributor pipe assembly MonoMatik; 303 MM	51 01 498		
14	Filter tank for mono/duomatik	51 01 355		
15	Jet top	51 01 236		
16	O-ring	51 01 293		
17	Screw	51 01 336	2	
18	O-ring	51 01 071		
19	Jet holder	51 01 070		
20	Drain valve seat	51 01 337		
21	O-ring valve seat	51 01 338		
22	Angle screwing; R 3/4" X D18	51 01 339		without cap nut
23	Sealing plate	51 01 169		
24	Plate spring	51 01 182		
25	O-ring (profile)	51 01 183		
26	Cover	51 01 184		
27	Screw	51 01 340	4	
28	Injector plate	51 01 054		
29	Waste trap	51 01 117		
30	Injector	51 01 053		
31	Injector cover	51 01 179		
32	Screw	51 01 341	3	
33	Holding clip	51 01 116		
34	O-ring	51 01 123		
35	Brine valve connection	51 01 181		
36	Elbow	51 01 342		
37	Rinsing water control	51 01 450		incl. item 37.1
37.1	O-ring	51 01 123	2	
38	Cap nut; G 3/4"	51 01 095	2	
39	Profile gasket	51 01 122		
40	O-ring	51 01 121		up to 08/2006
41	Water supply hose; DN13 X 3,5; 2500	40 02 060		
41.1	Gasket; D16 X D24 X 3,0	80002241		
42	Double nipple; R 3/4" X 40; SW28	51 01 369		
43	Control unit without timer	51 01 343		
44	Temperature indicator paper; 54GRAD C	32 01 003		
o.P.	Exchange resin; 1 LITER	51 01 120		Requirement: 4 litres per filter tank

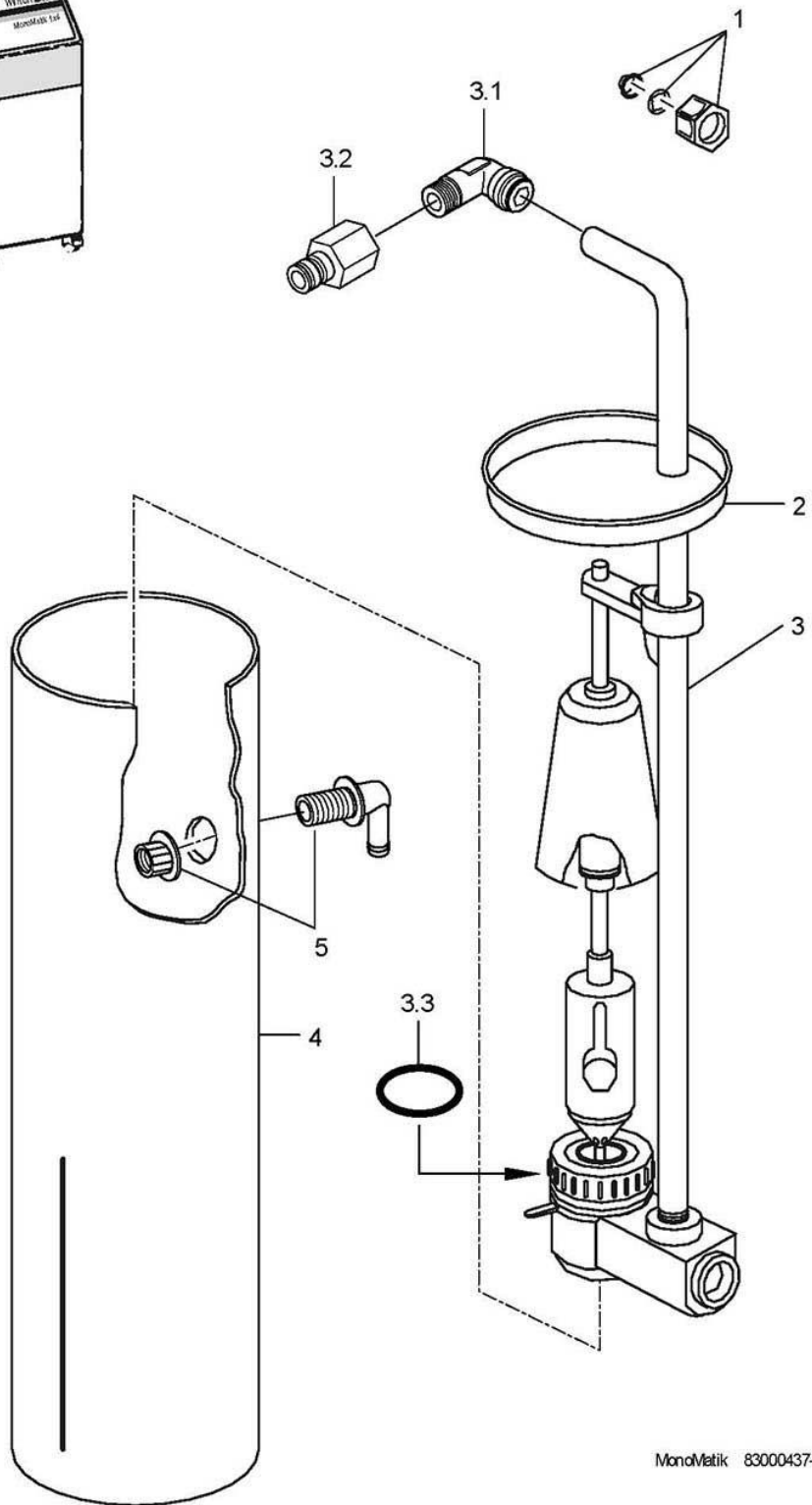
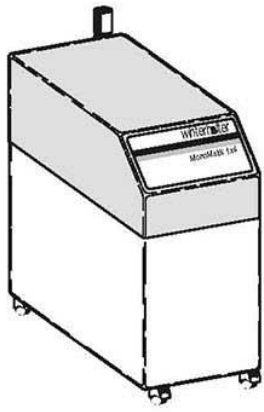


MondVetik 8300466-00

MonoMatik 1x4

Timer

Item.	Designation	Parts no.:	Pc.	Notes
1	Timer	51 01 347		incl. item 1.1 - 1.13
1.1	Screw	51 01 344		
1.2	Timer housing	51 01 345		
1.3	Timer cover	51 01 346		
1.4	Screw	51 01 348		
1.5	Screw	51 01 349	4	
1.6	Diaphragm	51 01 327		
1.7	Spring	51 01 357		
1.8	O-ring	51 01 358		
1.9	Locking for drain valve	51 01 359		
1.10	Bracket	51 01 360		
1.11	Regeneration wheel 7 days	51 01 037		
1.12	Tooth wheel; 36 ZÄHNE	51 01 031		
1.13	Clutch	51 01 032		
2	Socket elbow for overflow	51 01 165		
3	Motor for monomatic; 240V/50HZ	51 01 235		
3	Motor; 240V/60HZ	51 01 375		
4	Screw	51 01 361	3	



MonoMatik 83000437-00

MonoMatik 1x4

Salt valve

Item.	Designation	Parts no.:	Pc.	Notes
1	Elbow for brine; R 3/8" X D11,3	51 01 255		older models
2	Cap	51 01 364		
3	Floater valve cpl.	51 01 232		incl. item 3.1 - 3.3
3.1	Elbow	51 01 342		
3.2	Brine valve connection	51 01 181		
3.3	O-ring salt valve; 21,5 X 1,7	51 01 462		
4	Protective pipe for floater; D100 X 310	51 01 230		
5	Angle screwing; R 3/8" X D9,5	51 01 139		